

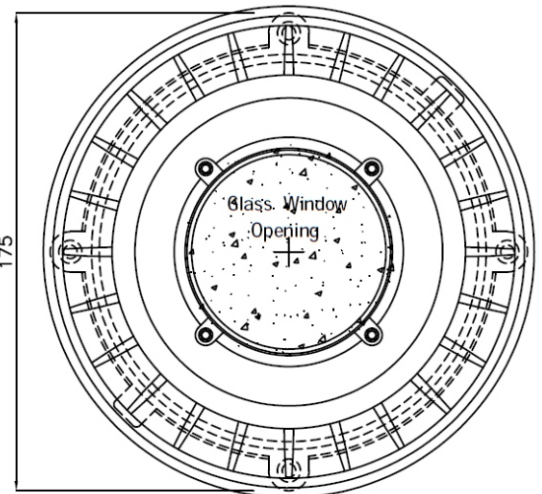


# DATA SHEET FOR FLP WELL GLASS FITTING

FLP-WP WELL GLASS FITTING UPTO 45 W LED (FLAT GLASS)

## TECHNICAL DATA:

- PRODUCT : CAT.NO. – WG/1240
- ENCLOSURE : FLAME PROOF (Ex –d ), Gas Group IIA , IIB , IIC  
As per IS/IEC 60079-1 : 2014
- PROTECTION : WEATHER PROOF IP – 66 AS PER IS/IEC 60529:2001  
(Reaffirmed 2014)
- AREA & TEMP.CLASS : Ex db IIC T6 Gb ( EX tb / tc IIIC T85 C Db/Dc  
( ZONE 1 & 2 & Zone 21 & 22 )
- CERTIFICATION : CIMFR , BIS, PESO
- TEMPERATURE CLASS : T 6
- MATERIAL : DIE CAST ALUMINIUM ALLOY
- FINISH : EPOXY POWDER COATED SHADE AS PER IS : 5
- EARTHING : 1 No INTERNAL & 2 No's EXTERNAL
- HARDWARE : STAINLESS STEEL
- GASKET : 'O' RING ENDLESS GASKET NEOPRENE / SILICON
- NAME PLATE : SS NAME PLATE CUM WARNING PLATE
- GLASS : HEAT RESISTANT CLEAR TYPE-A TOUGHENED GLASS
- ENTRIES : 2 Nos M20 / ½ " NPT / EQUIVALENT
- VOLTAGE : 140 V – 270 V ( 240 V AC )
- POWER FACTOR : ≥ 0.95
- INPUT FREQUENCY : 50 Hz.
- EFFICACY : ≥100 LUMEN PER WATT
- COLOUR ( CCT ) : 3000K / 5700K / 6500 K / OR AS SPECIFIED
- CRI : ≥ 80 RA
- THD : ≤ 10 % THD
- SURFACE TEMP. : MAX . 70°
- SURGE PROTECTION : 10 KV SPD
- LED MAKE : CITIZEN / OSRAM / BRIDGELUX / EQUIVALENT
- DRIVER MAKE : OSRAM / PHILIPS / FULHAM / EQUIVALENT  
– BIS APPROVED



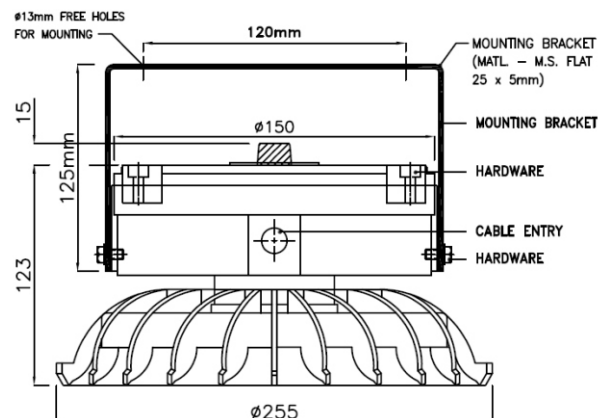
Bottom View of Well Glass Fitting (TYPE - 5)

### OPTIONS

SR.NO	PARTICULAR	OPTIONS
1.	MATERIAL OF CONSTRUCTION	STAINLESS STEEL
2.	VOLTAGE	220V DC / 110 V AC / 110 V DC / 24 V AC
3.	GLASS TYPE	DOME / FLAT / LENS / FROSTED
4.	BEAM ANGLE	LENS AVAILABLE 60/90/120 DEGREE
5.	LED TYPE	COB / SMD
6.	BATTERY BACK UP	UP TO 90 MINS
7.	GLAND & PLUG	BRASS / SS / ALUMINIUM
8.	COLOUR SHADE	631 , 632 , 355 ,7031 , 7032 etc...
9.	WIRE GUARD	MS WHITE EPOXY POWDER COATED / SS

### SELECTION CHART

SR.NO	WATTAGE	PART NO
1	20	WG/1240 / F / 20
2	30	WG/1240 / F / 30
3	35	WG/1240 / F / 35
4	40	WG/1240 / F / 40
5	45	WG/1240 / F / 45



SIDE VIEW OF LED WELL GLASS FITTING